
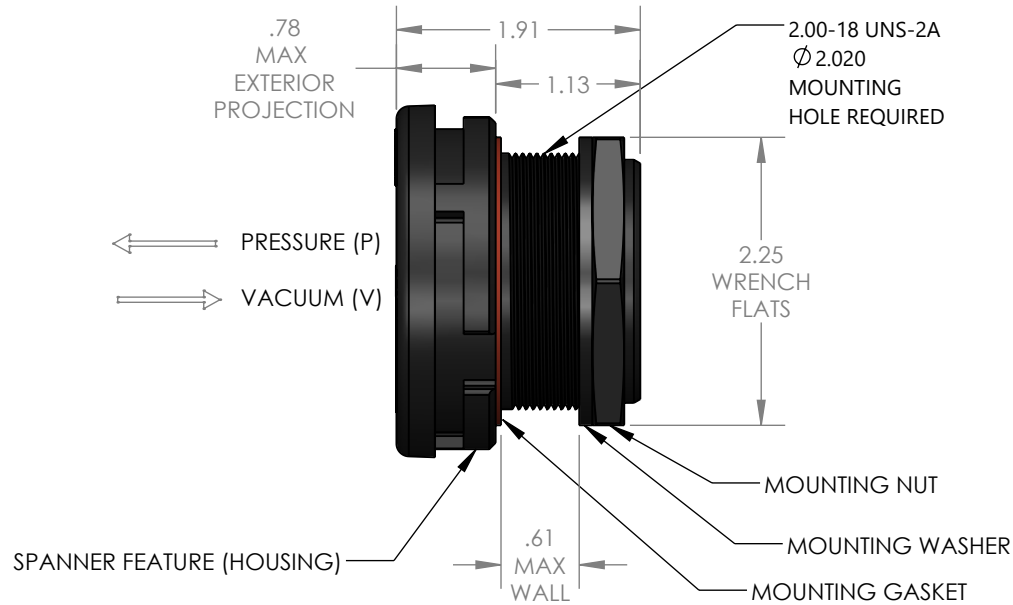
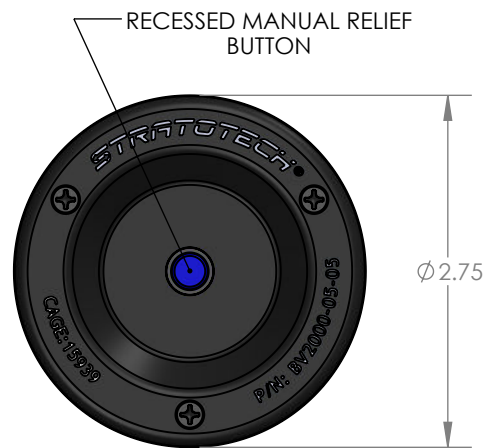


NOTES:

1. DESCRIPTION: TWO-WAY BREATHER VALVE, WITH SHIELD AND MANUAL RELIEF BUTTON
2. PERFORMANCE: SEE NEXT PAGE
3. MATERIALS:
  - 3.1. HOUSING, SHIELD, WASHER AND NUT: ALUMINUM ALLOY
  - 3.2. INTERNAL COMPONENTS: ACETAL AND NYLON
  - 3.3. GASKET: SILICONE PER A-A-59588, CLASS 2A OR 2B, GRADE 60
  - 3.4. SPRINGS AND RETAINING RING: 300-SERIES STAINLESS STEEL
4. FINISH:
  - 4.1. HOUSING, SHIELD, WASHER AND NUT: ANODIZED PER MIL-A-8625, TYPE II, CLASS 2 (BLACK)
5. MARKINGS: 'STRATOTECH', CAGE 15939, AND P/N
6. BREATHER VALVE CONFORMS TO SAE AS27166, TYPE III
7. MOUNTING WASHER MUST BE USED FOR WALL THICKNESS .090 AND UNDER
8. RECOMMENDED MOUNTING TORQUE: 80 ± 12 IN-LBS

REVISIONS					
REV.	VER.	DESCRIPTION	ECN	DATE	APPROVED
D	3	ADDED NEW CONFIGURATIONS. CRACKING PRESSURE TOLERANCE NOW STATED AS ALLOWABLE RANGE	ECN-147	3/31/2022	DC 3/31/2022
D	4	FLOW RATE PRESSURE OF -075-075 AND -10-10 CONFIGS UPDATED. FLOW RATE DATA UPDATED.	ECN-151	AT 5/25/2022	DC 5/25/2022
D	5	UDPATED CONFIG TABLE FORMAT	ECN-174	AT 1/31/2023	DW 2/1/2023
D	6	LABEL REPLACED BY LASER MARKING	ECN-176	AT 3/29/2023	 Digitally signed by DW 3/29/2023 10:56:11 -0700



**PROPRIETARY AND CONFIDENTIAL**

THE INFORMATION CONTAINED IN THIS DRAWING IS THE SOLE PROPERTY OF STRATOTECH LLC. ANY REPRODUCTION IN PART OR AS A WHOLE WITHOUT THE WRITTEN PERMISSION OF STRATOTECH LLC IS PROHIBITED.

**UNLESS OTHERWISE SPECIFIED:**

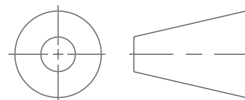
DIMENSIONS ARE IN INCHES

TOLERANCES:

.XX ±.02  
.XXX ±.010

INTERPRET DRAWING PER: ASME Y14.100-2013 AND Y14.5-2009

THIRD-ANGLE PROJECTION



GRANTS PASS, OREGON

CAGE CODE: 15939

TITLE: TWO WAY BREATHER VALVE

P/N: BV2000

REV D

SCALE: 2:3

SIZE: A

SHEET 1 OF 2



**BV2000-P-V**

THE FIRST DASH NUMBER AFTER "BV2000" INDICATES THE SETTING IN THE PRESSURE DIRECTION.  
 THE SECOND DASH NUMBER INDICATES THE SETTING IN THE VACUUM DIRECTION.  
**ANY COMBINATION OF PRESSURE AND VACUUM SETTINGS CAN BE SPECIFIED.**

EXAMPLE: USE BV2000-025-125 FOR A VALVE WITH A CRACKING PRESSURE OF 0.25 PSID AND A CRACKING VACUUM OF 1.25 PSID



PRESSURE DIRECTION			
PART NUMBER	NOMINAL CRACKING PRESSURE IN PSI (ALLOWABLE RANGE)	MINIMUM RESEAL PRESSURE (PSI)	FLOW RATE (SCFM @ PSID)
BV2000-025-[ ]	0.25 (0.20-0.30)	0.15	30 @ 0.60
BV2000-05-[ ]	0.50 (0.40-0.60)	0.35	30 @ 0.75
BV2000-075-[ ]	0.75 (0.50-1.00)	0.50	30 @ 0.90
BV2000-10-[ ]	1.00 (0.80-1.20)	0.70	30 @ 1.30
BV2000-125-[ ]	1.25 (1.00-1.50)	1.00	30 @ 1.70
BV2000-20-[ ]	2.00 (1.50-2.25)	1.50	30 @ 2.40
BV2000-25-[ ]	2.50 (2.00-3.00)	2.00	30 @ 2.80
BV2000-30-[ ]	3.00 (2.50-3.50)	2.50	30 @ 3.80
BV2000-35-[ ]	3.50 (3.00 - 4.00)	3.00	30 @ 4.20



VACUUM DIRECTION			
PART NUMBER	NOMINAL CRACKING VACUUM IN PSI (ALLOWABLE RANGE)	MINIMUM RESEAL VACUUM (PSI)	FLOW RATE (SCFM @ PSID)
BV2000-[ ]-025	0.25 (0.20-0.30)	0.15	30 @ 0.60
BV2000-[ ]-05	0.50 (0.40-0.60)	0.35	30 @ 0.85
BV2000-[ ]-075	0.75 (0.50-1.00)	0.50	30 @ 1.50
BV2000-[ ]-10	1.00 (0.80-1.20)	0.70	30 @ 1.80
BV2000-[ ]-125	1.25 (1.00-1.50)	1.00	30 @ 2.10
BV2000-[ ]-20	2.00 (1.50-2.25)	1.50	20 @ 3.00 30 @ 3.90
BV2000-[ ]-25	2.50 (2.00-3.00)	2.00	20 @ 3.50 30 @ 4.10
BV2000-[ ]-30	3.00 (2.50-3.50)	2.50	20 @ 4.00 25 @ 5.00
BV2000-[ ]-35	3.50 (3.00 - 4.00)	3.00	20 @ 4.50 24 @ 5.00

