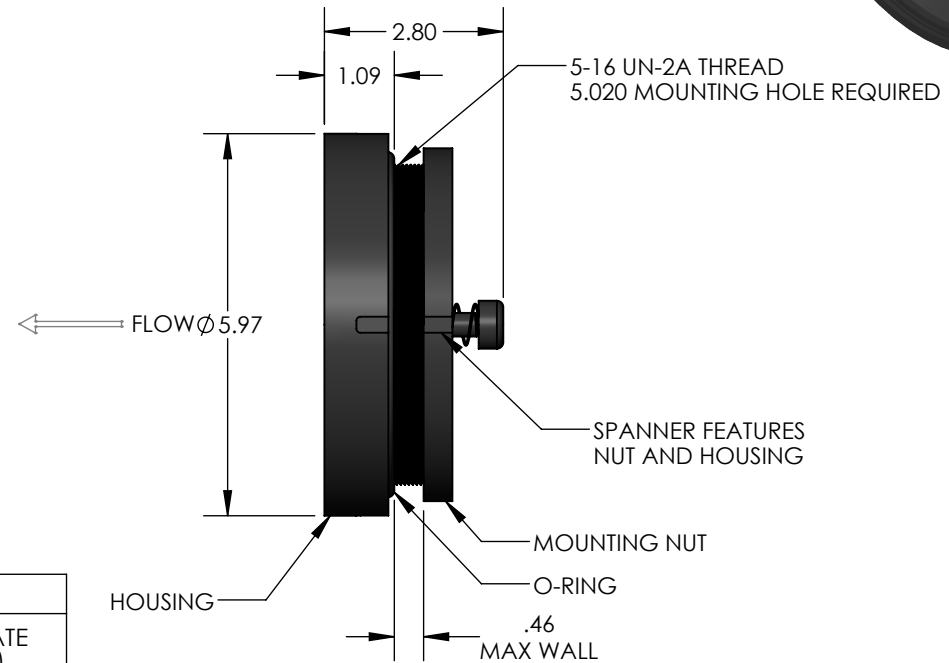


NOTES:

1. DESCRIPTION: ONE WAY PRESSURE RELIEF VALVE
2. PERFORMANCE: SEE TABLE
3. MATERIALS:
  - 3.1. EXTERNAL AND INTERNAL COMPONENTS: ALUMINUM ALLOY
  - 3.2. SEALS: EPDM
4. FINISH:
  - 4.1. ALUMINUM COMPONENTS: ANODIZED PER MIL-A-8625, TYPE II, CLASS 2 (BLACK)
5. MARKINGS: LASER MARKED WITH LOGO, CAGE, LOCATION, AND P/N. △B

REVISIONS						
REV.	VER.	DESCRIPTION	ECN	DRAWN BY	DATE	APPROVED
A	-	INITIAL RELEASE	-	A.TAYNE	6/21/2022	DW 6/21/2022
B	-	LABEL REMOVED. NOW LASER MARKED.	ECN-159	A.TAYNE	6/27/2022	



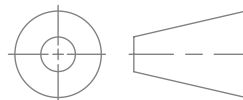
CONFIGURATIONS			
PART NUMBER	CRACKING PRESSURE	RESEAL PRESSURE	FLOW RATE (SCFM)
PR5005-075	0.75 ± 20% PSID (0.60-0.90)	0.50 PSID	500 @ 1.40 PSID

**PROPRIETARY AND CONFIDENTIAL**  
 THE INFORMATION CONTAINED IN THIS DRAWING IS THE SOLE PROPERTY OF STRATOTECH LLC. ANY REPRODUCTION IN PART OR AS A WHOLE WITHOUT THE WRITTEN PERMISSION OF STRATOTECH LLC IS PROHIBITED.

**UNLESS OTHERWISE SPECIFIED:**  
 DIMENSIONS ARE IN INCHES  
 TOLERANCES:  
 .XX ±.02  
 .XXX ±.010

INTERPRET DRAWING PER: ASME Y14.100-2013 AND Y14.5-2009

THIRD-ANGLE PROJECTION



**STRATOTECH**

GRANTS PASS, OREGON

CAGE CODE: 15939

TITLE: ONE WAY PRESSURE RELIEF VALVE

P/N: PR5005

REV: B

SCALE: 1:3

SIZE: A

SHEET 1 OF 1