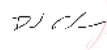
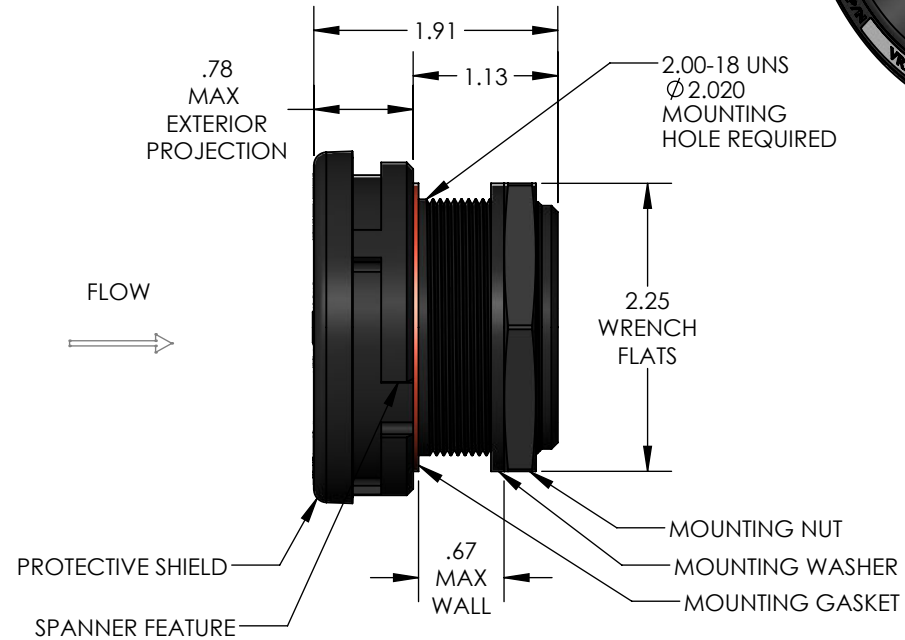
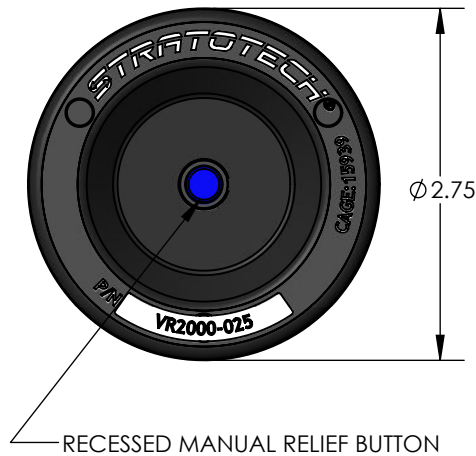


NOTES:

1. DESCRIPTION: ONE-WAY VACUUM RELIEF VALVE, WITH SHIELD AND MANUAL RELIEF
2. PERFORMANCE: SEE NEXT PAGE
3. MATERIALS:
  - 3.1. HOUSING, SHIELD, WASHER AND NUT: ALUMINUM ALLOY
  - 3.2. SEALS: SILICONE
4. FINISH:
  - 4.1. HOUSING, SHIELD, WASHER AND NUT: ANODIZED PER MIL-A-8625, TYPE II, CLASS 2 (BLACK)
5. MOUNTING WASHER MUST BE USED FOR WALL THICKNESS .090 AND UNDER.
6. RECOMMENDED MOUNTING TORQUE: 80 ± 12 IN-LBS

REVISIONS					
REV.	VER.	DESCRIPTION	ECN	DATE	APPROVED
A	-	INITIAL RELEASE	-	5/16/19	DC 5/16/19
A	1	UPDATED FORMAT	-	3/30/2020	-
A	2	ADDED CONFIGS	ECN-149	4/27/2022	DW 4/28/2022
B	-	SEE ECN	ECN-155	6/6/2022	 Digitally signed by David Cochran Date: 2022.06.06 13:26:20 -0700'



**PROPRIETARY AND CONFIDENTIAL**

THE INFORMATION CONTAINED IN THIS DRAWING IS THE SOLE PROPERTY OF STRATOTECH LLC. ANY REPRODUCTION IN PART OR AS A WHOLE WITHOUT THE WRITTEN PERMISSION OF STRATOTECH LLC IS PROHIBITED.

**UNLESS OTHERWISE SPECIFIED:**

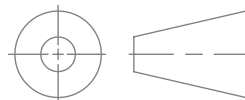
DIMENSIONS ARE IN INCHES

TOLERANCES:

.XX ±.02  
.XXX ±.010

INTERPRET DRAWING PER: ASME Y14.100-2013 AND Y14.5-2009

THIRD-ANGLE PROJECTION



**STRATOTECH**

GRANTS PASS, OREGON

CAGE CODE: 15939

TITLE: VACUUM RELIEF VALVE

P/N: VR2000

REV: **B**

SCALE: 2:3

SIZE: A

SHEET 1 OF 2

CONFIGURATIONS			
PART NUMBER	NOM. CRACKING VACUUM (ALLOWABLE RANGE)	MIN RESEAL VACUUM	FLOW RATE (SCFM @ PSID)
VR2000-025	0.25 (0.20-0.30)	0.15	30 @ 0.60
VR2000-05	0.50 (0.40-0.60)	0.35	30 @ 0.85
VR2000-075	0.75 (0.50-1.00)	0.50	30 @ 1.70
VR2000-10	1.00 (0.80-1.20)	0.70	30 @ 1.50
VR2000-125	1.25 (1.00-1.50)	1.00	30 @ 2.00
VR2000-20	2.00 (1.50-2.25)	1.50	30 @ 3.90
VR2000-25	2.50 (2.00-3.00)	2.00	30 @ 4.10
VR2000-30	3.00 (2.50-3.50)	2.50	25 @ 5.00
VR2000-35	3.50 (3.00 - 4.00)	3.00	20 @ 5.00
FOR OTHER VACUUM SETTINGS, CONTACT US			

TITLE: VACUUM RELIEF VALVE		
P/N: VR2000		REV <b>B</b>
SCALE: 1:2	SIZE: A	SHEET 2 OF 2