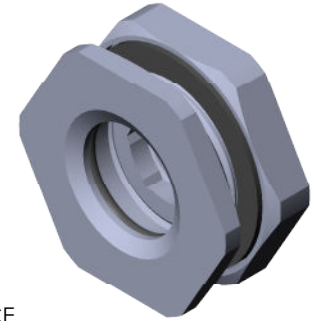
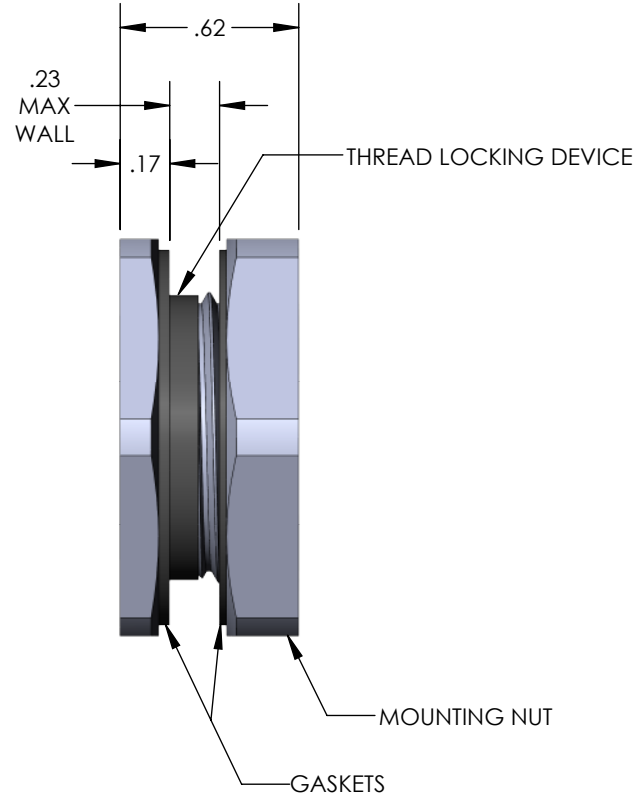
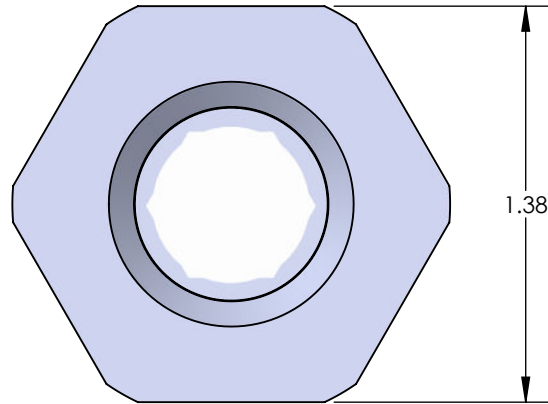


NOTES:

1. DESCRIPTION: OBSERVATION WINDOW
2. MATERIALS:
  - 2.1. HOUSING, NUT, AND INTERNAL COMPONENTS: ALUMINUM ALLOY
  - 2.2. WINDOW: ACRYLIC
  - 2.3. SEALS: NEOPRENE
3. FINISH:
  - 3.1. HOUSING: ANODIZED PER MIL-A-8625, TYPE II, CLASS 1 (CLEAR)
4. MARKINGS: NONE
5. CAN BE USED IN FLEXIBLE OR RIGID WALL CONTAINERS
  - 5.1. FLEXIBLE CONTAINERS: USE BOTH SUPPLIED GASKETS
  - 5.2. RIGID CONTAINERS: DISCARD EXTRA GASKET AND REVERSE NUT

REVISIONS				
REV	ECN	DRAWN BY	DATE	APPROVED
A	INITIAL RELEASE	A.BYLUND	7/25/2018	AT 7/31/2018
A.1	NEW FORMAT	A.TAYNE	6/30/2020	-



**PROPRIETARY AND CONFIDENTIAL**

THE INFORMATION CONTAINED IN THIS DRAWING IS THE SOLE PROPERTY OF STRATOTECH LLC. ANY REPRODUCTION IN PART OR AS A WHOLE WITHOUT THE WRITTEN PERMISSION OF STRATOTECH LLC IS PROHIBITED.

**UNLESS OTHERWISE SPECIFIED:**

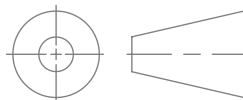
DIMENSIONS ARE IN INCHES

TOLERANCES:

.XX ±.02  
.XXX ±.010

INTERPRET DRAWING PER: ASME Y14.100-2013 AND Y14.5-2009

THIRD-ANGLE PROJECTION



**STRATOTECH**

GRANTS PASS, OREGON

CAGE CODE: 15939

TITLE: OBSERVATION WINDOW

P/N: SP1002

REV **A.1**

SCALE: 3:2

SIZE: A

SHEET 1 OF 1