
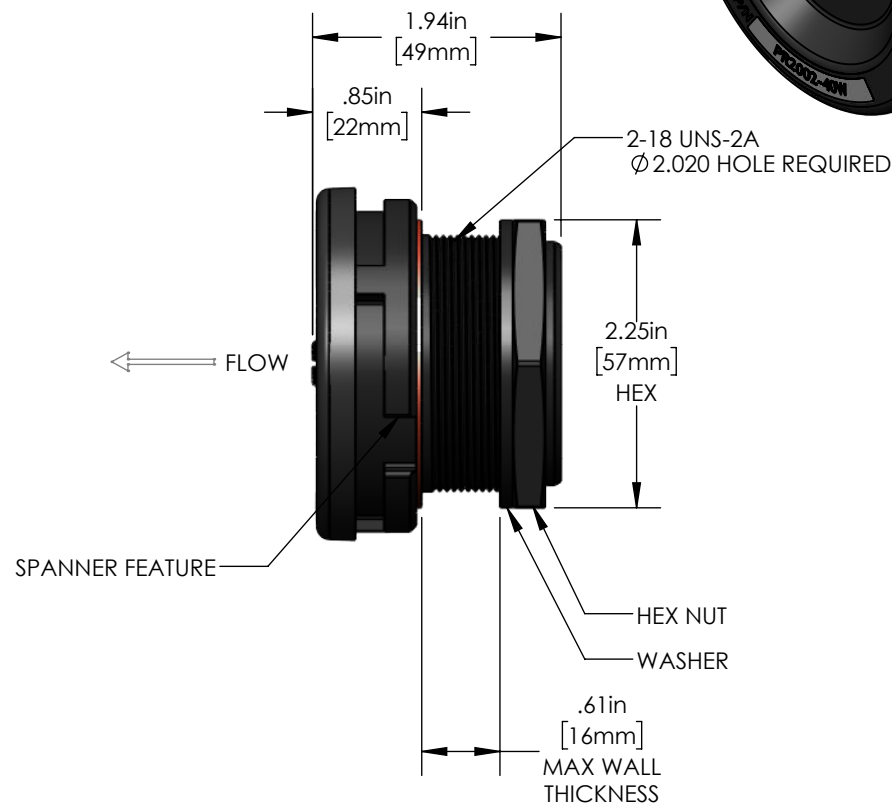
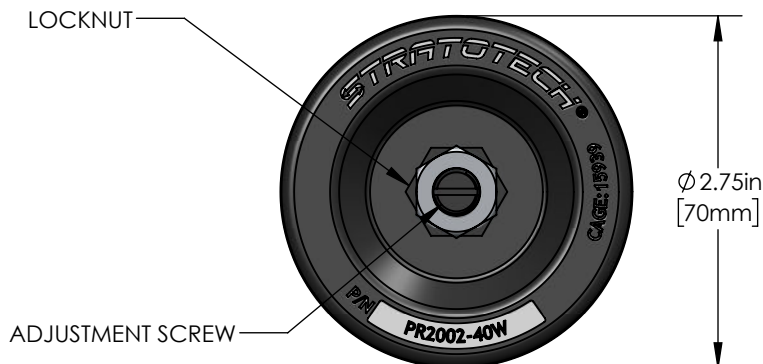


NOTES:

1. DESCRIPTION: ONE WAY PRESSURE RELIEF VALVE
2. PERFORMANCE: SEE TABLE
3. MATERIALS:
  - 3.1. HOUSING, SHIELD, ADJUSTMENT SCREW, WASHER, MOUNTING NUT: ALUMINUM ALLOY
  - 3.2. SEALS: SILICONE
  - 3.3. LOCKNUT AND INTERNAL COMPONENTS: 300-SERIES STAINLESS STEEL
4. FINISH:
  - 4.1. ALUMINUM COMPONENTS: ANODIZED PER MIL-A-8625, TYPE II, CLASS 2 (BLACK)
5. MARKINGS: PRODUCT LABEL
6. PRESSURE SETTING IS ADJUSTABLE. HOWEVER, ADJUSTMENTS SHOULD ONLY BE PERFORMED BY EXPERIENCED PERSONNEL. NO GUARANTEE IS MADE BY STRATOTECH IF THE VALVE IS ADJUSTED AFTER DELIVERY

REVISIONS				
REV	ECN	DRAWN BY	DATE	APPROVED
C	INITIAL RELEASE	A.TAYNE	5/10/2022	 Digitally signed by David Cochran Date: 2022.05.10 15:53:11 -07'00'



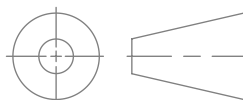
VALVE CONFIGURATIONS		
PART NUMBER	CRACKING PRESSURE (±20% IWC)	RESEAL PRESSURE (IWC)
PR2002	0.20	N/A
PR2002-40W	4.00	2.00

**PROPRIETARY AND CONFIDENTIAL**  
 THE INFORMATION CONTAINED IN THIS DRAWING IS THE SOLE PROPERTY OF STRATOTECH LLC. ANY REPRODUCTION IN PART OR AS A WHOLE WITHOUT THE WRITTEN PERMISSION OF STRATOTECH LLC IS PROHIBITED.

**UNLESS OTHERWISE SPECIFIED:**  
 DIMENSIONS ARE IN INCHES  
 TOLERANCES:  
 .XX ±.02  
 .XXX ±.010

INTERPRET DRAWING PER: ASME Y14.100-2013 AND Y14.5-2009

THIRD-ANGLE PROJECTION



**STRATOTECH**

GRANTS PASS, OREGON

CAGE CODE: 15939

TITLE: ONE WAY PRESSURE RELIEF VALVE

P/N: PR2002

REV C

SCALE: 2:3

SIZE: A

SHEET 1 OF 1