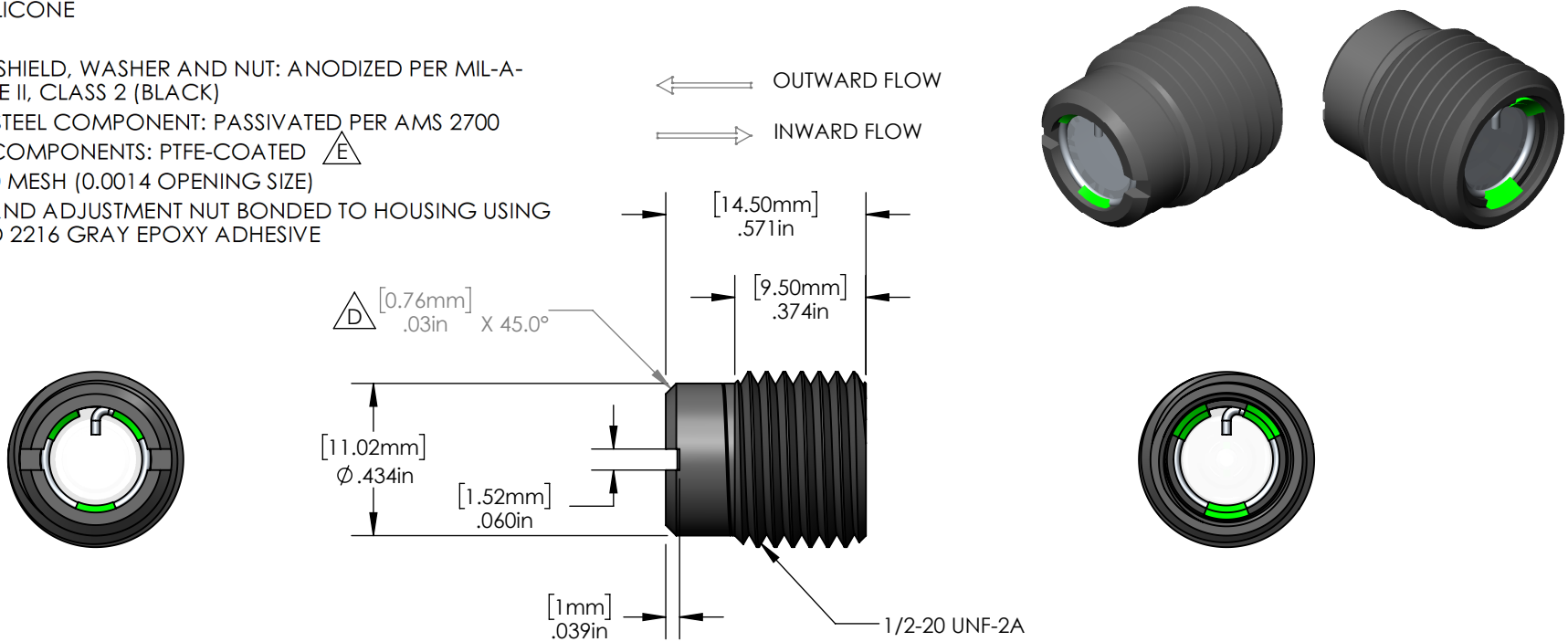


NOTES:

1. DESCRIPTION: MINI TWO-WAY BREATHER VALVE
2. PERFORMANCE:
  - 2.1. PRESSURE:
    - 2.1.1. CRACKING PRESSURE: 1.5 – 2.5 PSID
    - 2.1.2. MINIMUM RESEAL PRESSURE: 1.0 PSID
  - 2.2. VACUUM:
    - 2.2.1. CRACKING PRESSURE: 1.5 – 2.5 PSID
    - 2.2.2. MINIMUM RESEAL PRESSURE: 1.0 PSID
3. MATERIALS:
  - 3.1. HOUSING AND VARIOUS INTERNAL COMPONENTS: ALUMINUM ALLOY
  - 3.2. RETAINING RING, SCREEN, AND OTHER INTERNAL COMPONENTS: STAINLESS STEEL
  - 3.3. GASKET: SILICONE
4. FINISH:
  - 4.1. HOUSING, SHIELD, WASHER AND NUT: ANODIZED PER MIL-A-8625, TYPE II, CLASS 2 (BLACK)
  - 4.2. STAINLESS STEEL COMPONENT: PASSIVATED PER AMS 2700
  - 4.3. INTERNAL COMPONENTS: PTFE-COATED  $\triangle E$
5. SCREEN: 400 X 400 MESH (0.0014 OPENING SIZE)
6. RETAINING RING AND ADJUSTMENT NUT BONDED TO HOUSING USING 3M SCOTCH-WELD 2216 GRAY EPOXY ADHESIVE

REVISIONS				
REV.	DESCRIPTION	ECN	DATE	APPROVED
A	INITIAL RELEASE	-	9/23/2019	-
B	CRACKING PRESSURE WAS 2.0 ± 20%PSID, NOW 1.5 - 2.5 PSID	ECN-060	AT 10/10/2019	DC 10/10/2019
C	NEW RETAINING RING WITH REMOVAL TAB. ADHESIVE ON RETAINING RING AND ADJUSTMENT NUT WAS FULL PERIMETER BEADS, NOW SMALLER INTERMITTENT BEADS	ECN-068	AT 11/19/2019	DC 11/19/2019
D	CHAMFER ADDED. ADDED PASSIVATION FINISH NOTE	ECN-079	AT 1/30/2020	DC 2/13/2020
E	NOTE 4.3 ADDED FOR PTFE COATING	ECN-106	AT 8/5/2020	DC 8/05/2020



**PROPRIETARY AND CONFIDENTIAL**

THE INFORMATION CONTAINED IN THIS DRAWING IS THE SOLE PROPERTY OF STRATOTECH LLC. ANY REPRODUCTION IN PART OR AS A WHOLE WITHOUT THE WRITTEN PERMISSION OF STRATOTECH LLC IS PROHIBITED.

**UNLESS OTHERWISE SPECIFIED:**

DIMENSIONS ARE IN INCHES

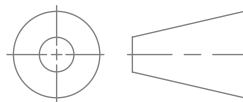
TOLERANCES:

.XX ±.02  
.XXX ±.010

INTERPRET DRAWING PER:  
ASME Y14.100-2013 AND  
Y14.5-2009

	NAME	DATE
DRAWN	A.TAYNE	9/23/2019
ENG APPR.	DC	9/23/2019

THIRD-ANGLE PROJECTION



**STRATOTECH**

GRANTS PASS, OREGON

CAGE CODE: 15939

TITLE: MINI TWO-WAY BREATHER VALVE

P/N: BV1011

REV **E**

SCALE: 2:1

SIZE: A

SHEET 1 OF 1