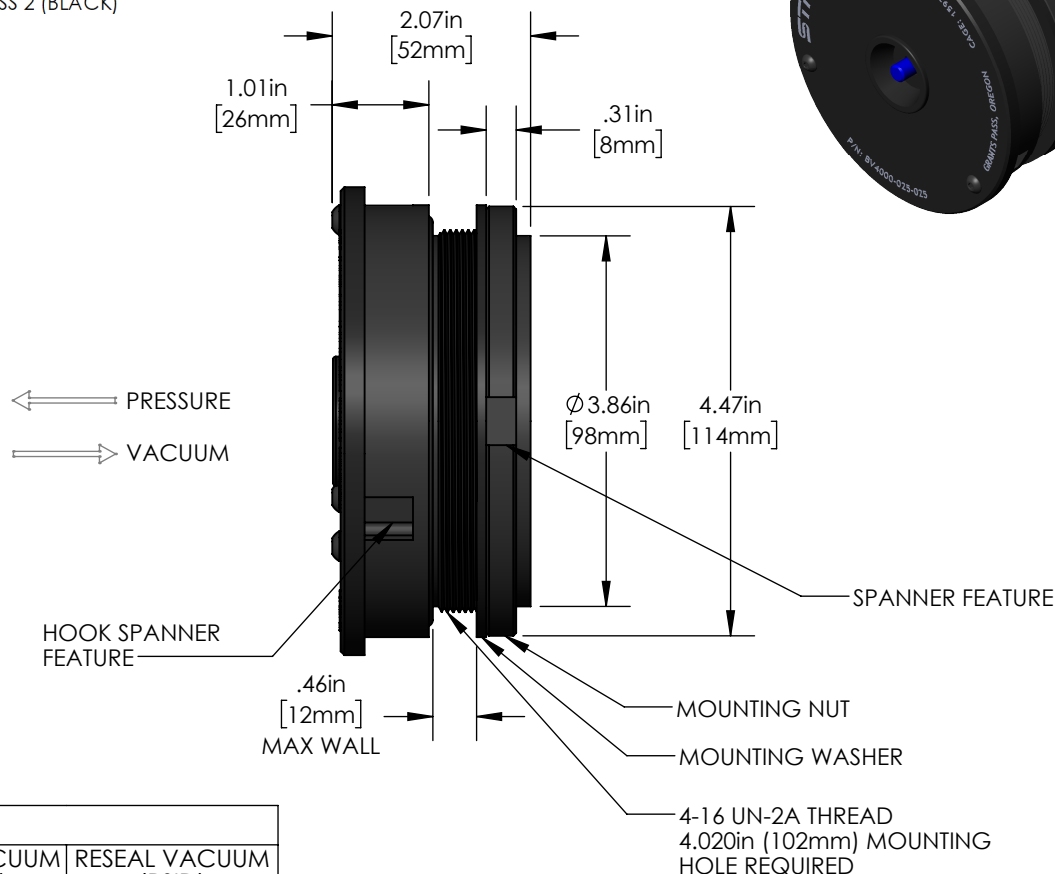
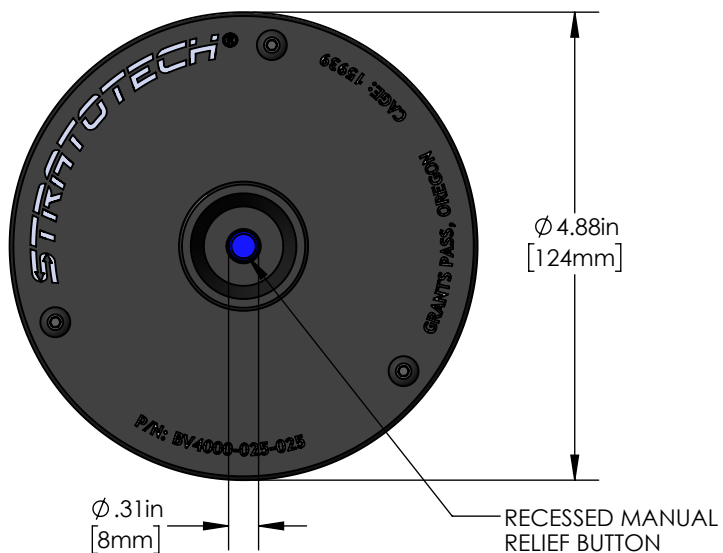


NOTES:

1. DESCRIPTION: TWO-WAY BREATHER VALVE, WITH MANUAL RELIEF BUTTON
2. PERFORMANCE: SEE TABLE
3. MATERIALS:
  - 3.1. HOUSING, NUT, BUTTON, AND INTERNAL COMPONENTS: ALUMINUM ALLOY
  - 3.2. MISC. INTERNAL COMPONENT: NYLON 6/6
  - 3.3. SEALS: NEOPRENE
  - 3.4. SPRINGS AND RETAINING RINGS: 300-SERIES STAINLESS STEEL
4. FINISH:
  - 4.1. HOUSING, SHIELD, WASHER, AND NUT: ANODIZED PER MIL-A-8625, TYPE II, CLASS 2 (BLACK)
5. MARKINGS:
  - 5.1. STRATOTECH LOGO
  - 5.2. STRATOTECH PART NUMBER

REVISIONS						
REV.	VER.	DESCRIPTION	ECN	DRAWN BY	DATE	APPROVED
A	-	INITIAL RELEASE	-	A.TAYNE	5/27/2021	DC 5/27/2021
A	1	ADDED .50 PSI VERSION	-	A.TAYNE	9/13/2021	DC 9/13/2021



CONFIGURATIONS				
PART NUMBER	CRACKING PRESSURE (PSID ± 20%)	RESEAL PRESSURE (PSID)	CRACKING VACUUM (PSID ± 20%)	RESEAL VACUUM (PSID)
BV4000-025-025	0.25	0.10	0.25	0.10
BV4000-05-05	0.50	0.35	0.50	0.35

**PROPRIETARY AND CONFIDENTIAL**

THE INFORMATION CONTAINED IN THIS DRAWING IS THE SOLE PROPERTY OF STRATOTECH LLC. ANY REPRODUCTION IN PART OR AS A WHOLE WITHOUT THE WRITTEN PERMISSION OF STRATOTECH LLC IS PROHIBITED.

**UNLESS OTHERWISE SPECIFIED:**

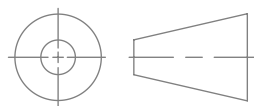
DIMENSIONS ARE IN INCHES

TOLERANCES:

.XX ±.02  
.XXX ±.010

INTERPRET DRAWING PER: ASME Y14.100-2013 AND Y14.5-2009

THIRD-ANGLE PROJECTION



GRANTS PASS, OREGON      CAGE CODE: 15939

TITLE: TWO WAY BREATHER VALVE

P/N: BV4000      REV **A**

SCALE: 1:0.66667      SIZE: A      SHEET 1 OF 1